

APPROVED	O.G. FIG.	
BY	CLASS	SUBCLASS
DRAFTSMAN		

6236405

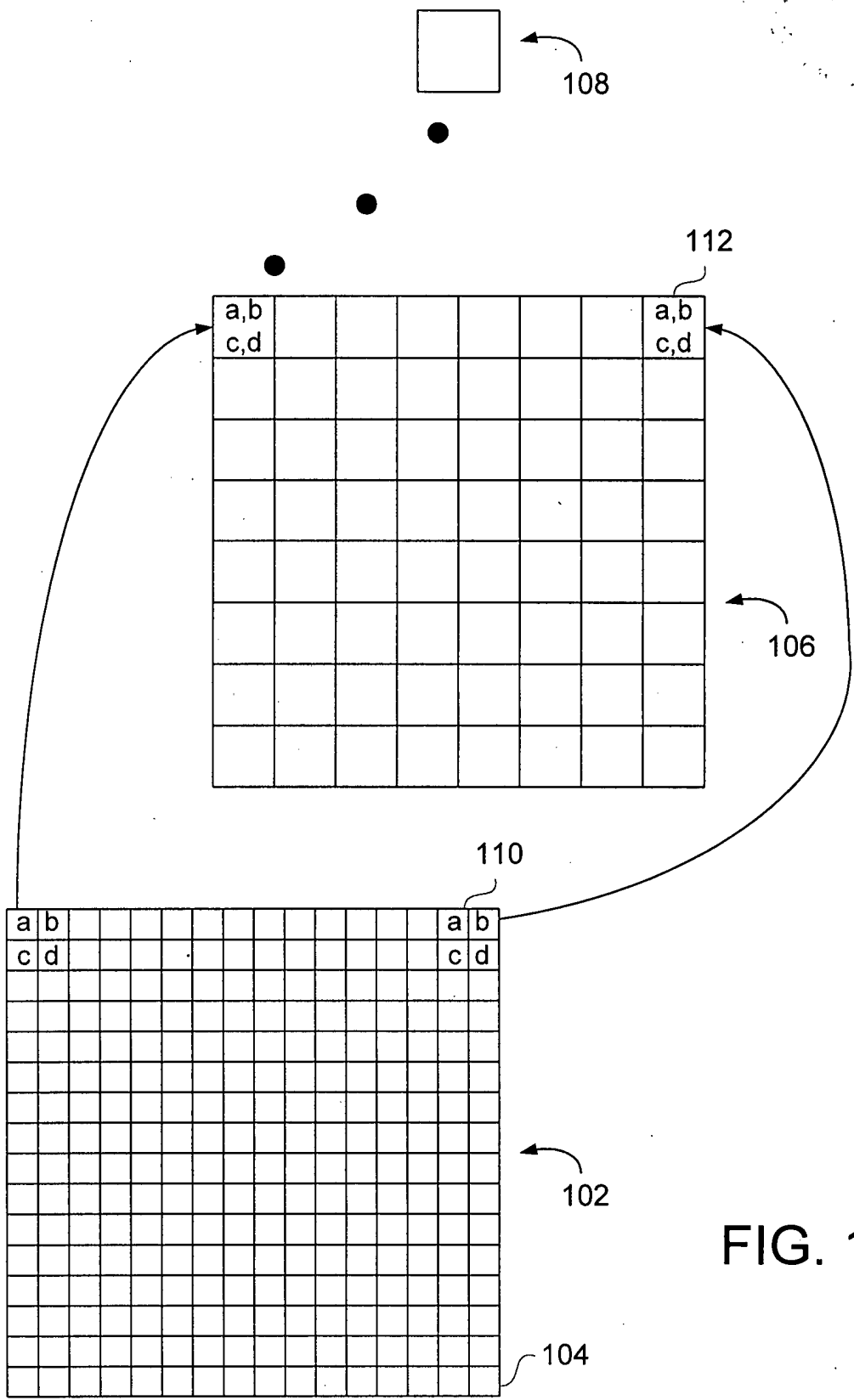


FIG. 1

APPROVED	O.G. FIG.	
BY	CLASS	SUBCLASS
DRAFTSMAN		

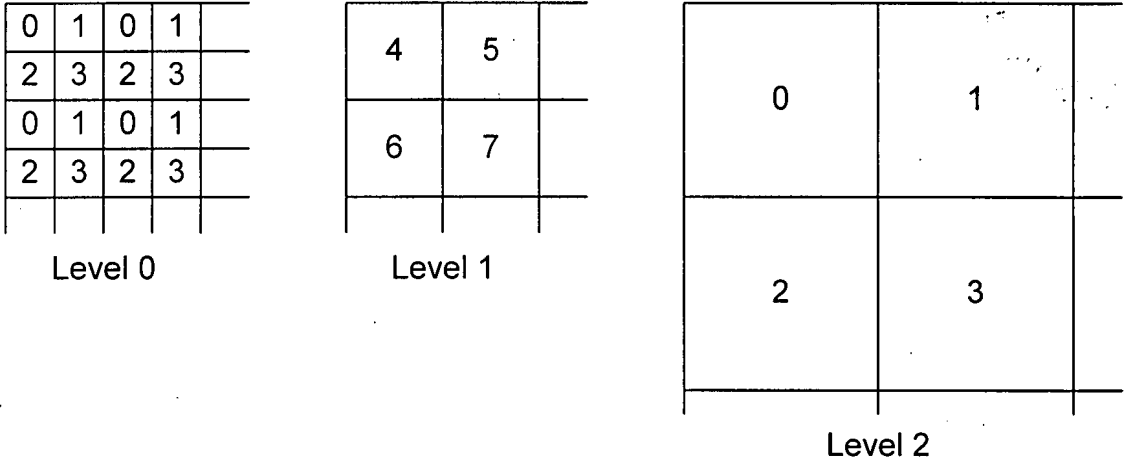


FIG. 2

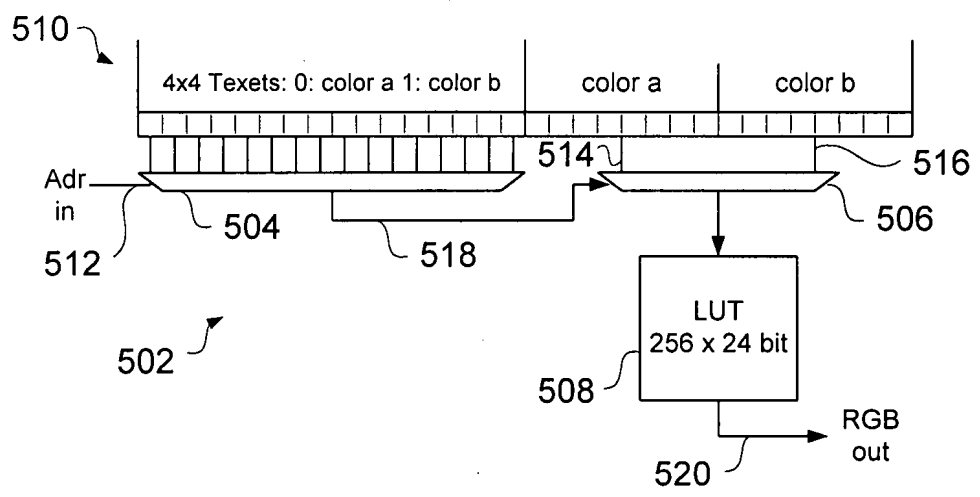


FIG. 5

APPROVED	O.G. FIG.	
BY	CLASS	SUBCLASS
DRAFTSMAN		

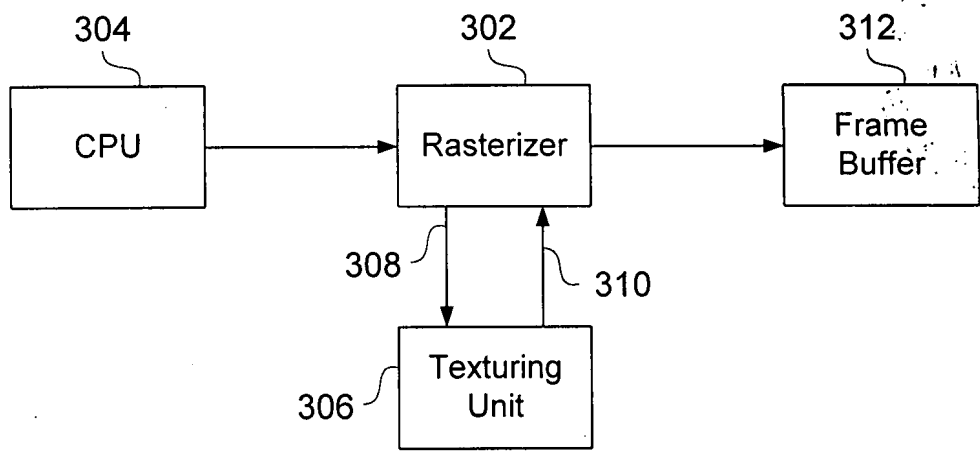


FIG. 3

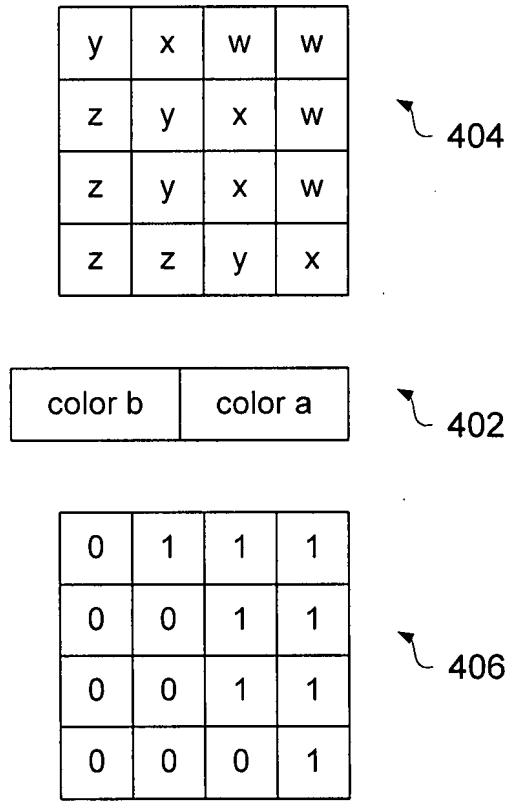


FIG. 4

APPROVED	O.C. FIG.	
BY	CLASS	SUBCLASS
DRAFTSMAN		

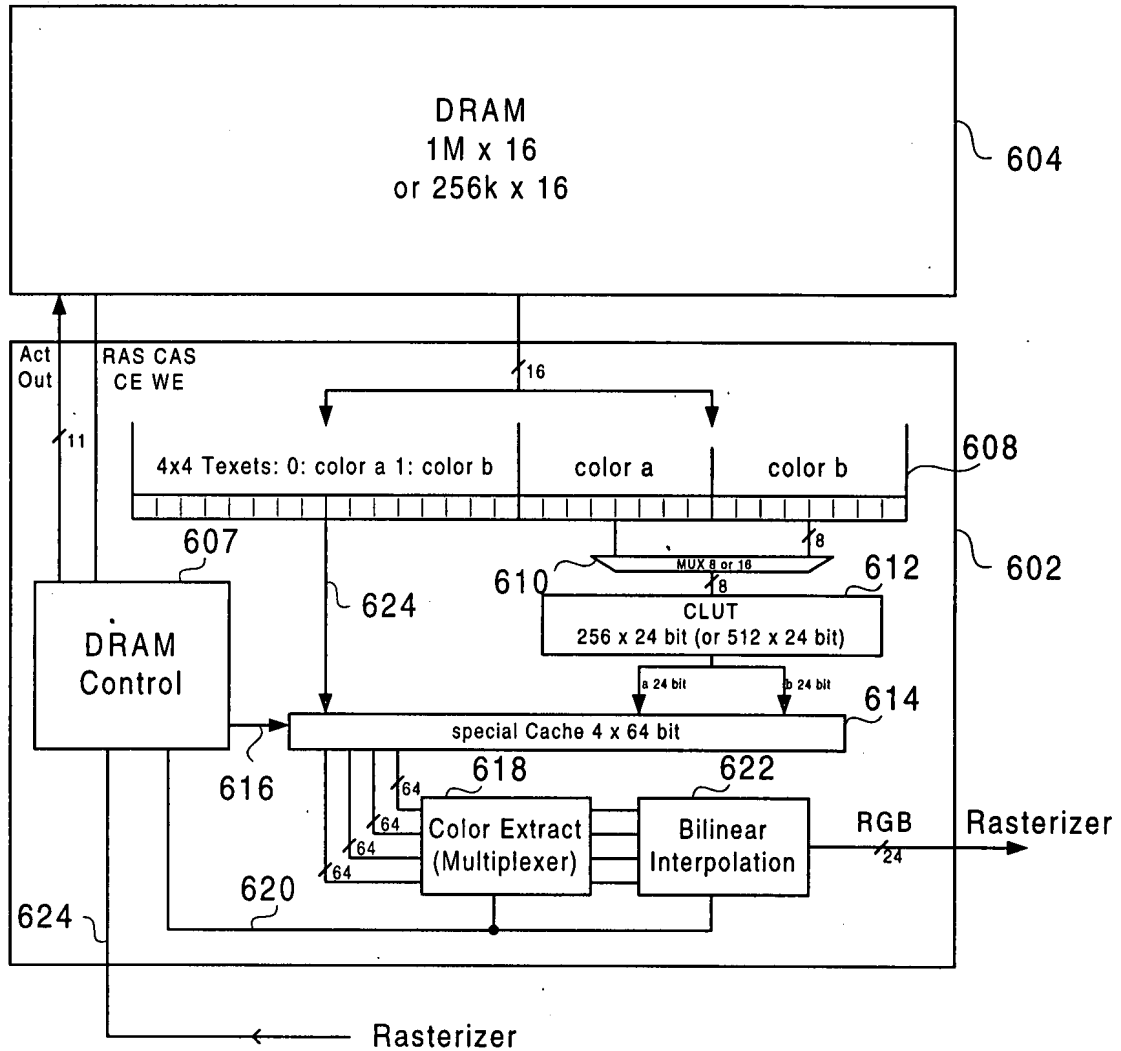


FIG. 6

APPROVED	O.G. FIG.	
BY	CLASS	SUBCLASS
DRAFTSMAN		

	A	B	A	B
	C	D	C	D
	A	B	A	B
	C	D	C	D

FIG. 7

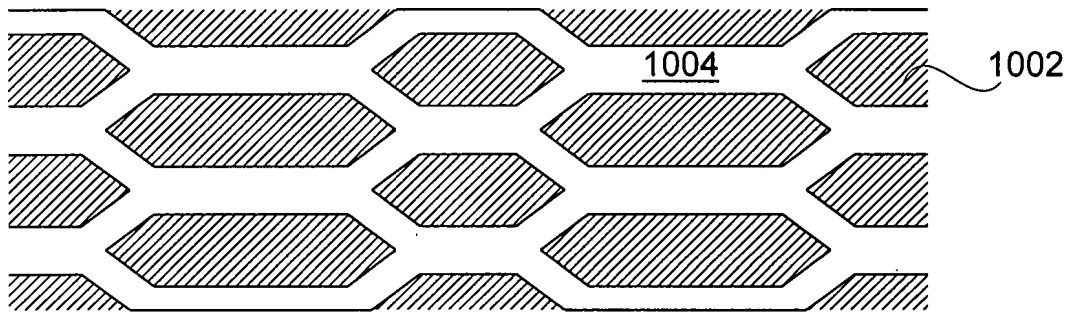
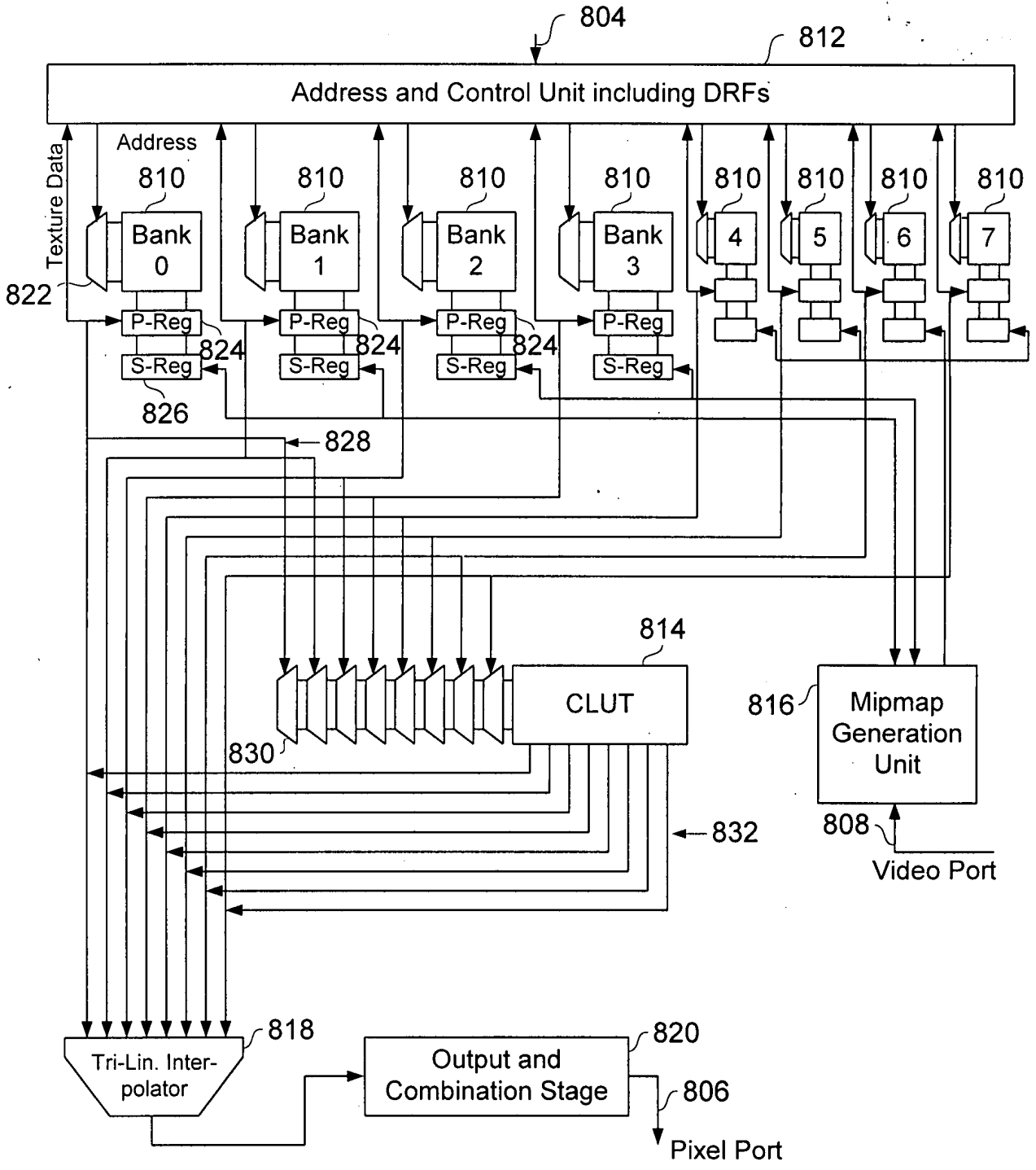


FIG. 10

APPROVED	O.G. FIG.	
BY	CLASS	SUBCLASS
DRAFTSMAN		



802

FIG. 8

APPROVED	O.G. FIG.	
BY	CLASS	SUBCLASS
DRAFTSMAN		

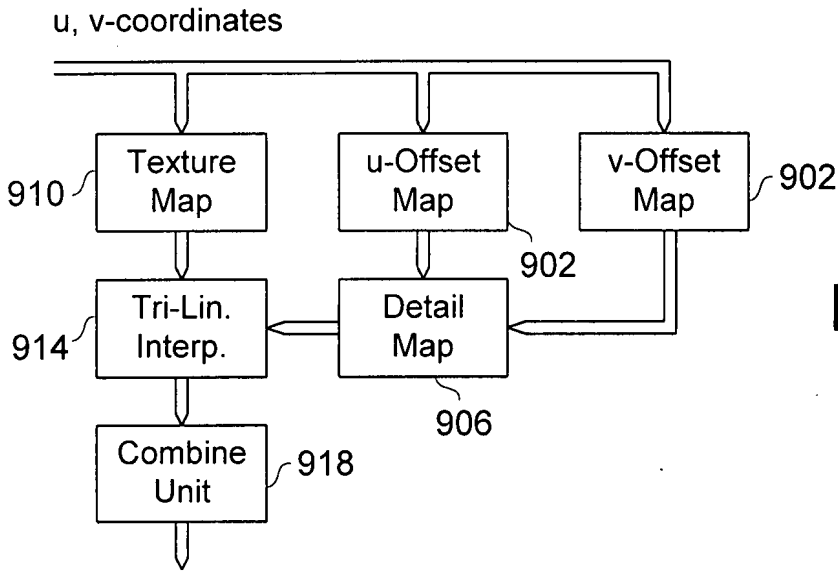


FIG. 9(a)

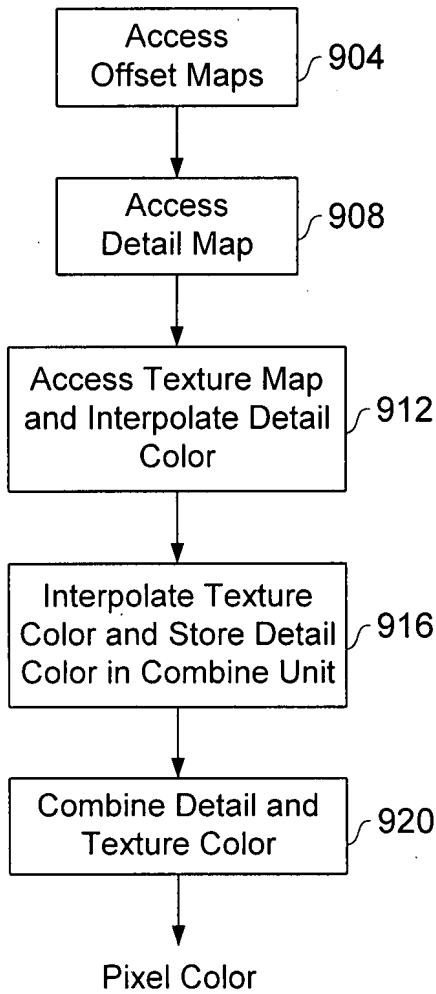


FIG. 9(b)

APPROVED	O.G. FIG.	
BY	CLASS	SUBCLASS
DRAFTSMAN		

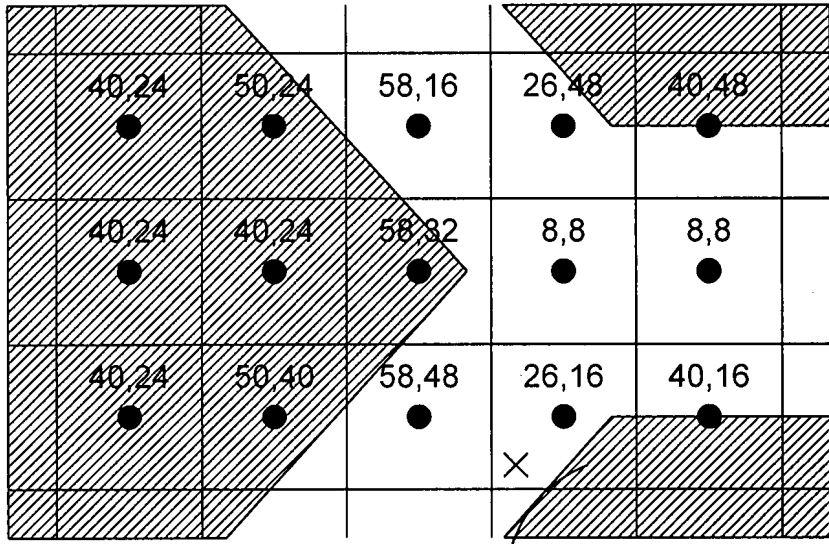


FIG. 11(a)

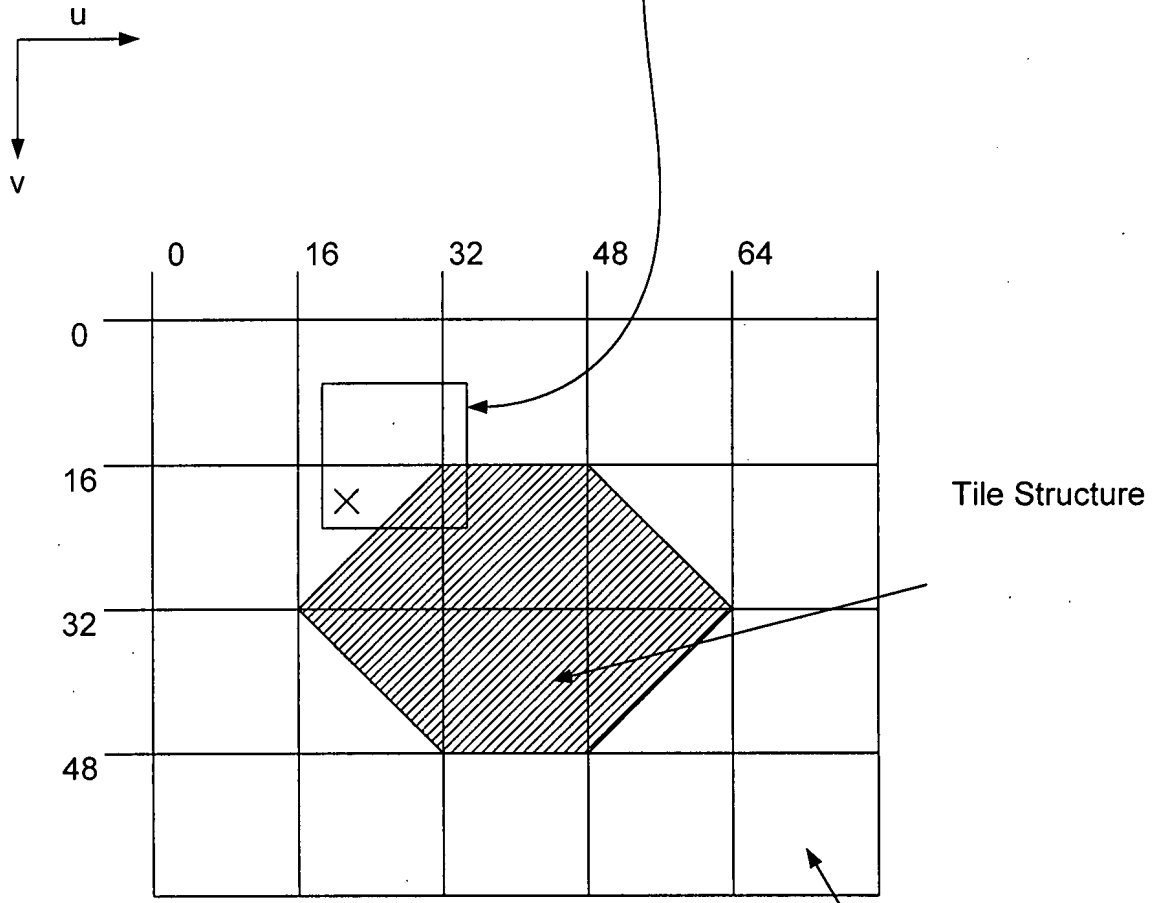


FIG. 11(b)

APPROVED	O.G. FIG.	
BY	CLASS	SUBCLASS
DRAFTSMAN		

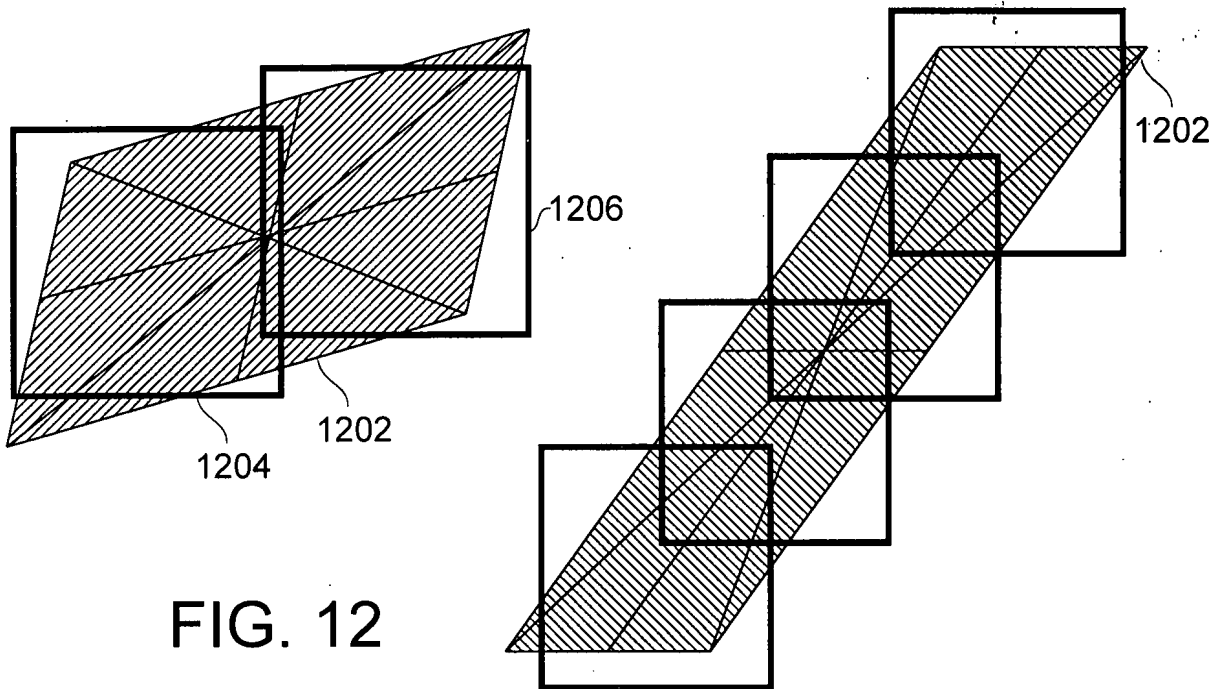


FIG. 12

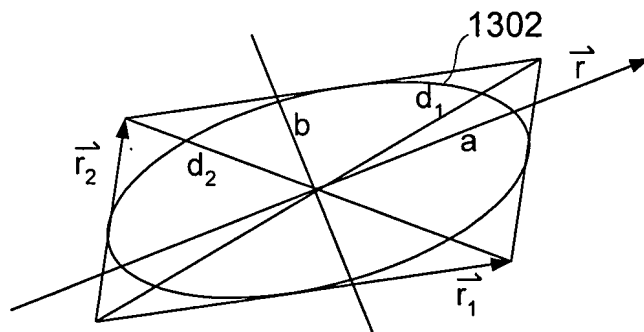


FIG. 13

APPROVED	O.G. FIG.	
BY	CLASS	SUBCLASS
DRAFTSMAN		

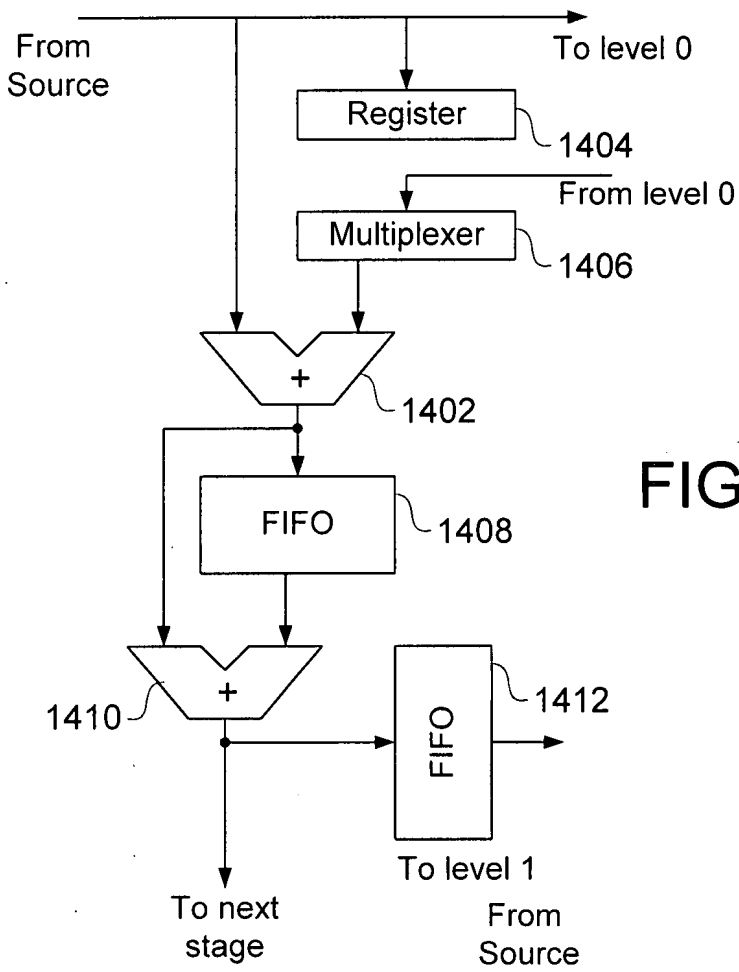
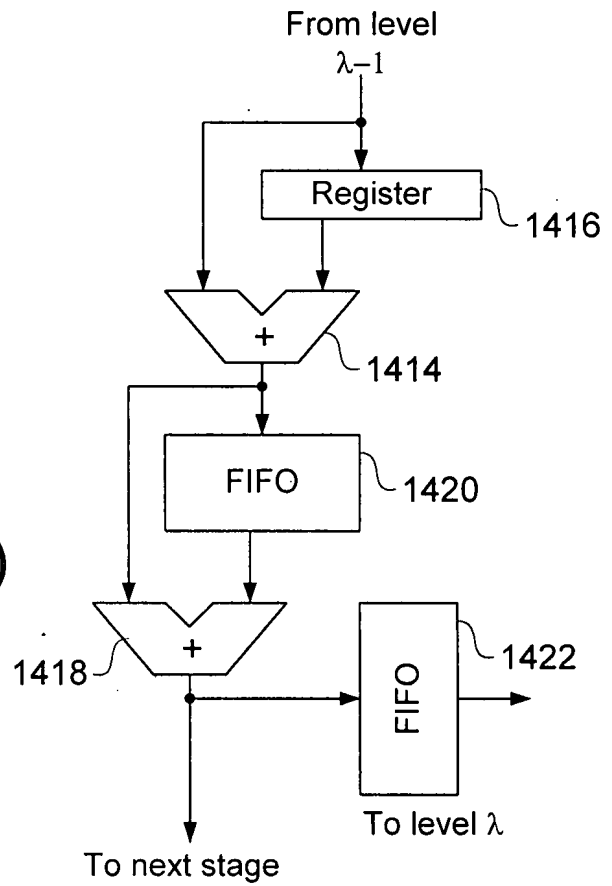


FIG. 14(a)

FIG. 14(b)



APPROVED	O.G. FIG.
BY	CLASS, SUBCLASS
DRAFTSMAN	

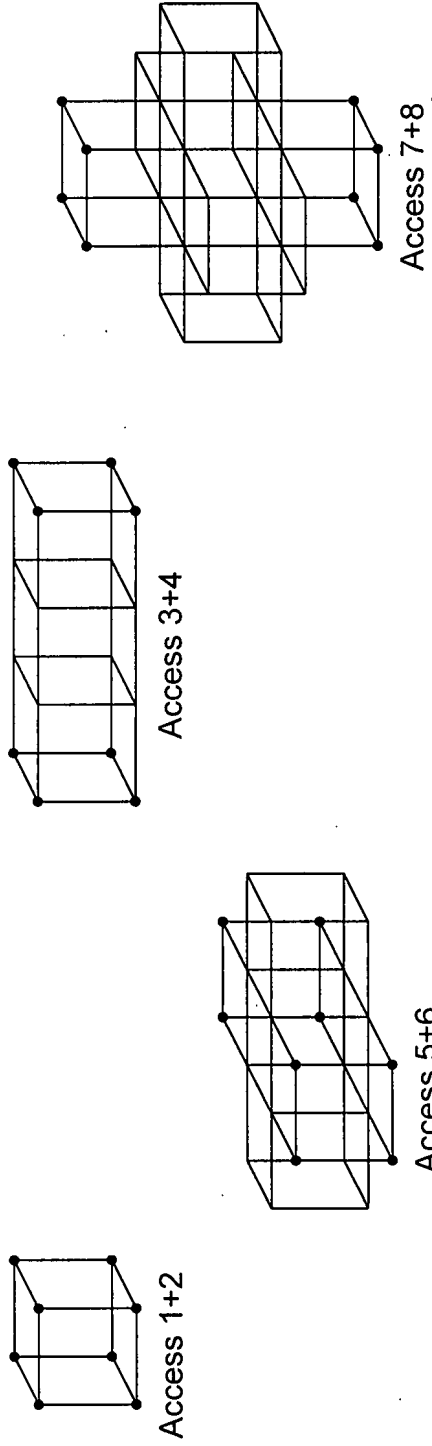


FIG. 15

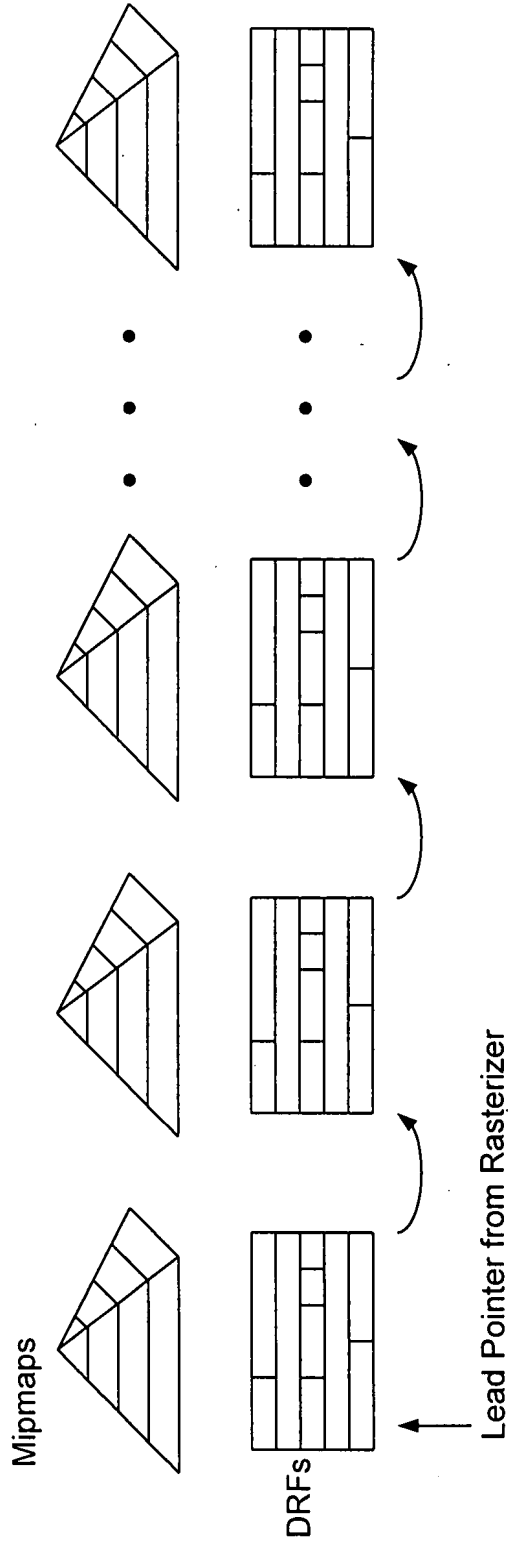


FIG. 16